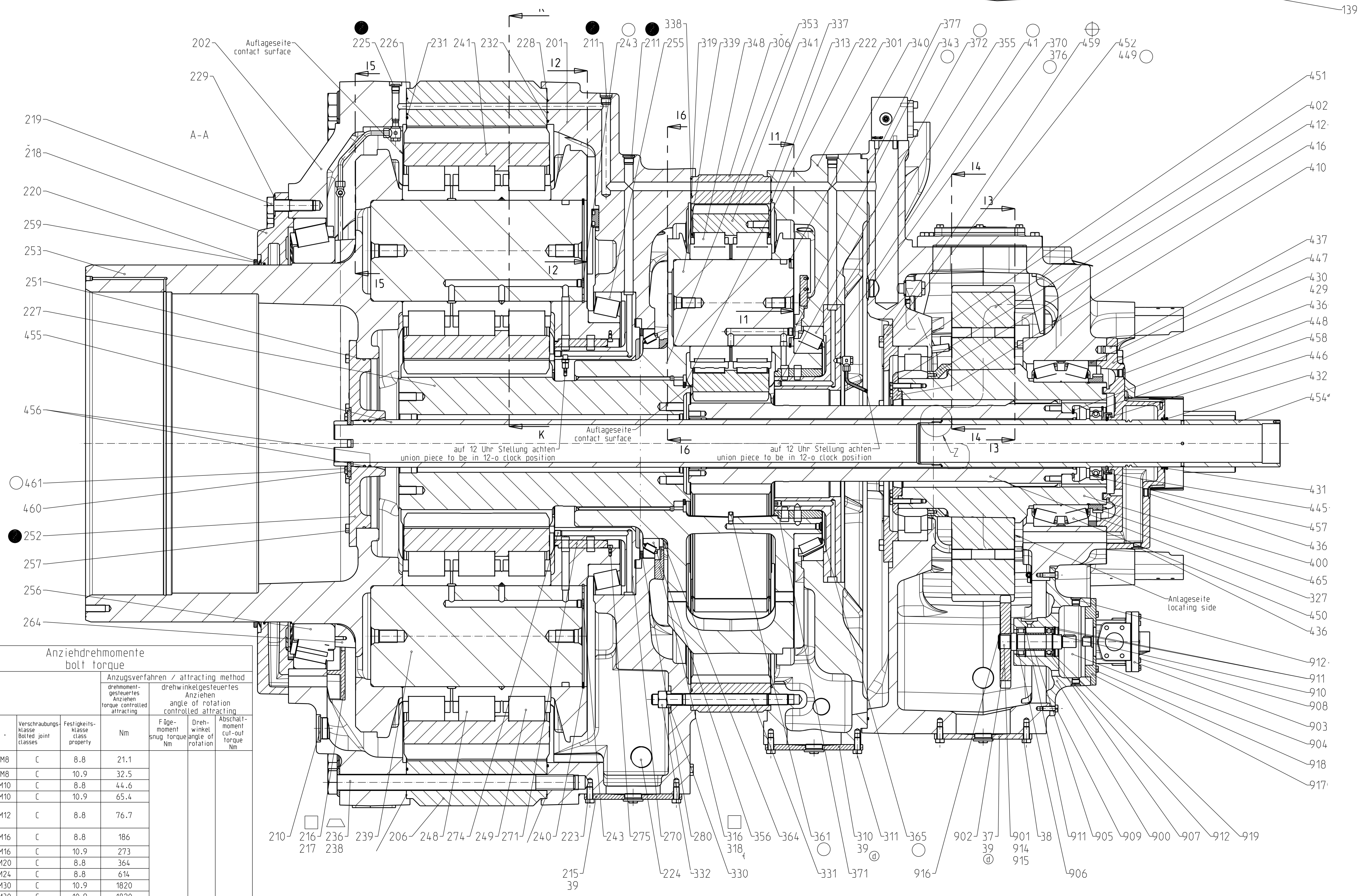
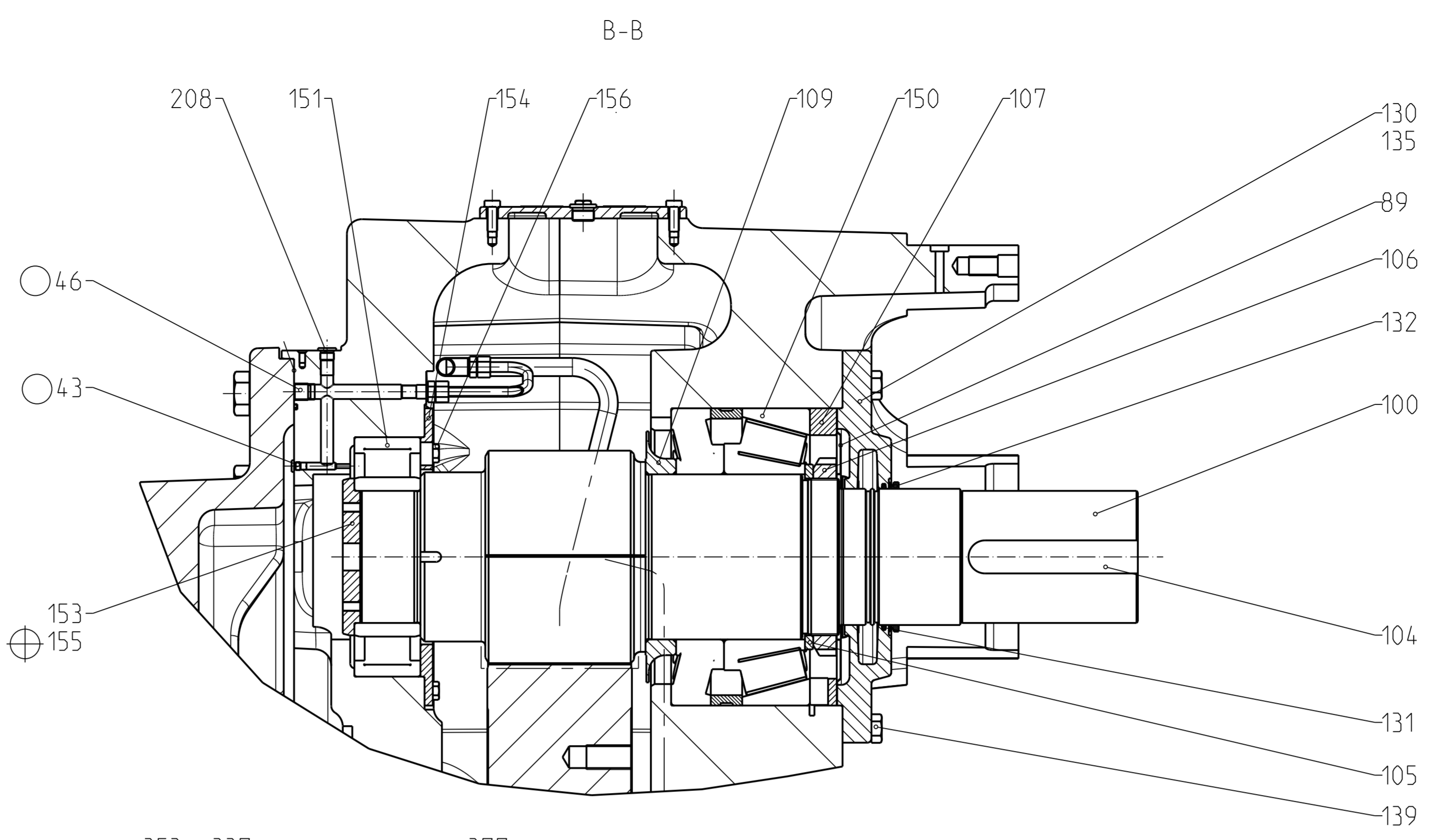


V112 - 3.0 MW		onshore	offshore
Bauart / Type		PZAB	PZAB
Größe / Size		3530	3530
Leistung mechanisch / Power mechanical	kW	3300	3300
n Generator	min ⁻¹	1450	1450
n Rotor	min ⁻¹	12.87	13.82
Ist-Übersetzung / Exact ratio		112.632	104.903
Ölviskosität / Oil viscosity	VG	320	320
Ölfüllmenge / Oil filling	L	231	231
Gewicht ohne Öl / Weight without oil	KG	26700	26700

Toleranzen TOLERANCES		
Paßmaß BASIC SIZE	Abmaße DEVIATIONS	
160m6	+0.040	+0.015
110H7	-0.035	0
130H7	-0.036	-0.076
830H7	+0.090	0
840H7	+0.090	0
240H7	+0.046	0
990H7	-0.086	-0.176





Anziehdrehmomente bolt torque

Teil Nr. Part no.	Verschraubungs- klasse Bolted joint classes	Festigkeits- klasse Strength class property	Anzugsverfahren / attracting method		Füge- moment ing torque Nm	Dreh- winkel angle of rotation	Abschalt- moment cut-out torque Nm
			drehmoment- gesteuertes Anziehen torque controlled attracting	drehwinkelgesteuertes Anziehen angle of rotation controlled attracting			
186.275.374.908	M8	C	B.8		21.1		
185	M8	C	10.9		32.5		
183.214.318	M10	C	B.8		44.6		
187.918	M10	C	10.9		65.4		
52.155.156.217.298.317.412.461.909	M12	C	B.8		76.7		
38.54.209.215.257.273.311	M16	C	B.8		186		
376	M16	C	10.9		273		
139.459	M20	C	B.8		364		
438.439	M24	C	B.8		614		
219	M30	C	10.9		1820		
325.328.333	M30	C	10.9		1820		
332	M30	C	10		1820		
233	M42	C	10.9		4640		
236	M42	A	10.9		1200	155	6300
237	M42	A	10.9		1200	68	6300





4ЭР

Teil-Nr.	Menge	Benennung	Zeichnungs-Nr.	Material-Nr.	Gw(kg)
Part No.	No. off	Description	Drawings No.	Ident no.	Weight
E 0001	1	ST GEHAEUSE PZAB 3530 SE EN-JL1040 6238021/F HOUSING PZAB 3530 SE EN-JL1040		000.001.551.056	2.267,2
E 0035	1	ST ANZ-OELST FSA 254-2.0/-/12-SO 14 OIL LEVEL INDICATOR FSA 254-2.0/-/12-SO		000.001.164.146	0,2
E 0036	1	ST FLANSCH-SAE-11/2V F 3957 S355J2G3 FLANGE-SAE-11/2V F 3957 S355J2G3		000.000.833.301	0,9
E 0037	1	ST FLANSCH 270X012 S355J2G3 6317592/B FLANGE 270X010 S235JR		000.001.541.981	6,3
E 0050	2	ST DECKEL-S450X250X14G 3/4 EN-JL1030 9501507/E INSPECTION COVER450X250X14G 3/4		000.000.413.056	8,0
E 0051	2	ST DICHTUNG 445X245X1,5 AFM 30 6251834/- SEAL 445X245X1,5 AFM 30		000.001.162.842	0,1
E 0053	1	ST DECKEL-S1010X346X30 G 1 EN-JL1040 6320543/- INSPECTION COVER1010X346X30 EN-JL1040		000.001.545.333	62,9
E 0056	2	ST THERMOM-WIDST MBT5310 EL=215 SO DANFOSS RESISTANCE THEMOMETER MBT5310 EL=215		000.001.163.688	0,1
E 0057	1	ST THERMOM-WIDST MBT5310 EL=260 SO DANFOSS RESISTANCE THEMOMETER MBT5310 EL=260		000.001.163.689	0,1
E 0058	2	ST THERMOM-WIDST MBT5310 EL=325 SO DANFOSS RESISTANCE THEMOMETER MBT5310 EL=325		000.001.163.690	0,1
E 0070	1	ST VENTILBLOCK HG1167-KPL HYDRA VALVE BLOCK HG1167-KPL HYDRA		000.001.540.175	30,0
E 0071	1	ST FLANSCH SAE-V2 DIETZEL FLANGE SAE-V2 DIETZEL		000.001.264.509	0,0
E 0080	1	ST INDIK-STOSS DROP-N-TELL 5G STROEBEL INDICATOR SHOCK DROP-N-TELL 5G STROEBEL		000.001.541.466	0,2
E 0081	1	ST INDIK-STOSS DROP-N-TELL 10G STROEBEL INDICATOR SHOCK DROP-N-TELL 10G STROEBEL		000.001.541.978	0,2
E 0082	1	ST INDIK-STOSS DROP-N-TELL 15G STROEBEL INDICATOR SHOCK DROP-N-TELL 15G STROEBEL		000.001.541.979	0,2
E 0089	1	ST NILOSRING 6334 IV W 5031 ST NILOS RING 6334 IV W 5031 ST		000.001.153.162	2,8
E 0100	1	ST STRDWELLE RP 550,0/3,64 SE LK2 1.6587 6310394/D PINION SHAFT RP 550,0/3,64 SE LK2 1.6587		000.001.551.309	202,0
E 0104	1	ST PASSFED 40X22X185 BS D 6885 C45K PARALLEL KEY 40X22X185 BS D 6885 C45K		000.001.164.043	1,3
E 0105	1	ST RING 190,0X224,0X010,0N ST/GJL 6043523/- RING 190,0X224,0X010,0N ST/GJL		000.001.256.726	0,9
E 0106	1	ST MUTTER-NUT KM 38 D 981 ST SLOTTED NUT KM 38 D 981 ST		000.000.340.838	3,3
E 0107	1	ST RING-OEL 295X360X032,5 S355J2G3 6311660/- OIL RING 295X360X032,5 S355J2G3		000.001.535.848	7,7
E 0109	1	ST RING-SCHUTZ 200X304X037 S235JR 6244331/- PROTECTIVE RING 200X304X037 S235JR		000.001.540.041	4,9
E 0130	1	ST L-DECK360X450X006,50165 EN-JL1040 6244767/- BEARING COVER 360X450X006,5 EN-JL1040		000.001.531.930	42,5



ЧЭР

Teil-Nr.	Menge	Benennung	Zeichnungs-Nr.	Material-Nr.	Gw(kg)
Part No.	No. off	Description	Drawings No.	Ident no.	Weight
E 0132	1	ST RING-V V-160A 155-165 PERBUNAN V-RING V-160A 155-165 PERBUNAN		000.000.342.280	0,1
E 0150	1	ST EINBAUS BT2-0357/L4BPEX PAIRD TAPER ROLL.BEARGS BT2-0357/L4BPEX	SKF	000.001.163.472	69,8
E 0151	1	ST WAELZL F-584094 NU-WPO ROLLG BRG F-584094 NU-WPO	FAG FAG	000.001.163.468	23,8
E 0153	1	ST SCHB-END 190/033X021 END PLATE 190/033X021	C45+N S355J2G3	6238055/A 000.001.535.866	3,9
E 0154	1	ST RING-HALTE 212X360X015 LOCKING RING 212X360X015	S355J2G3 S355J2G3	6238054/A 000.001.535.864	6,1
E 0170	1	ST OELABSTREIFER 230X140 OIL WIPER 230X140X105	DC01 DC01A	6310124/A 000.001.536.048	0,7
E 0171	1	ST OELABSTREIFER 213X103 OIL WIPER 213X103X083	DC01 DC01A	6310179/A 000.001.536.221	0,6
E 0172	1	ST PLATTE 050X045X020 PLATE 050X045X020	DC01 DC01	6310707/- 000.001.536.255	0,3
E 0173	1	ST OELABSTREIFER 210X046 OIL WIPER 210X046X003	DC01 DC01A	6310708/- 000.001.536.254	0,2
E 0174	1	ST PLATTE 085X035X020 PLATE 085X035X020	DC01 DC01	6310709/- 000.001.536.259	0,4
E 0175	1	ST OELABSTREIFER 325X040 OIL WIPER 325X040X003	DC01 DC01A	6310710/- 000.001.536.260	0,2
E 0176	1	ST PLATTE 060X055X027 PLATE 060X055X027	S235JR S235JR	6311303/- 000.001.540.095	0,5
E 0177	1	ST OELABSTREIFER 180X058X050 OIL WIPER 180X058X050	DC01 DC01	6326584/- 000.001.555.426	0,2
E 0178	2	ST PLATTE 080X028X025 PLATE 080X028X025	S235JR S235JR	6311155/A 000.001.536.284	0,3
E 0179	1	ST OELABSTREIFER 180X074 OIL WIPER 180X074X050	DC01 DC01A	6311222/- 000.001.536.285	0,3
E 0180	1	ST OELABSTREIFER 260X028 OIL WIPER 260X028X040	DC01 DC01A	6311304/- 000.001.536.286	0,2
E 0181	1	ST OELABSTREIFER 260X028 OIL WIPER 260X028X040	DC01 DC01A	6311307/- 000.001.536.287	0,2
E 0182	1	ST PLATTE 060X055X027 PLATE 060X055X027	S235JR S235JR	6311330/- 000.001.536.288	0,5
E 0201	1	ST FLANSCH-LAGER PZAB3530 SE BEARING FLANGE PZAB3530 SE	EN-JS1049 EN-JS1049	6238025/G 000.001.551.155	1.667,1
E 0202	1	ST STUETZ-DREHMOMENT 3530 PT TORQUE (REACTION) ARM 3530 PT	EN-JS1049 EN-JS1049	6238027/C 000.001.542.708	2.531,9
E 0203	2	ST BLZN 240X960 SE BOLT 240X960 SE	34CrNiMo6 34CrNiMo6	6238028/- 000.001.551.058	340,0
E 0204	2	ST BL-STUETZ 450X222X020 SUPPORTING PLATE 450X222X020	S235JRG2 S235JRG2	6280945/- 000.001.533.246	3,5
E 0205	6	ST BL-STUETZ 450X222X010 SUPPORTING PLATE 450X222X010	S235JRG2 S235JRG2	6281533/- 000.001.533.248	3,4
E 0206	1	ST STIRNRAD, INVERZ 3530 SE/GS INTERNALLY TOOTHED GEAR WHEEL	34CrNiMo6 34CrNiMo6	6303282/A 000.001.551.268	2.515,0



ЧЭР

E	0207	2	ST SCHWINGELEMENT UB06/004/04	ESM		000.001.532.239	28,0
			SWING ELEMENT UB06/004/04	ESM			
E	0213	2	ST BL-OELLEIT 89X85X23	ST	6309708/A	000.001.541.203	0,6
			OIL GUIDE 89X85X23	ST			
E	0215	1	ST FLANSCH 270X012	S355J2G3	6317592/B	000.001.541.981	6,3
			FLANGE 270X010	S235JR			
E	0216	1	ST OELRINNE 510X375X050	EN-JL1040	6238058/A	000.001.531.827	28,5
			OIL GROOVE 510X375X050	EN-JL1040			
E	0218	1	ST L-DECK1250X1320X0140990	EN-JL1040	6238042/B	000.001.531.806	273,4
			BEARING COVER1250X1320X0140990	EN-JL1040			
E	0222	1	ST RING-SICHER 320X6 D 471	FED-ST		000.000.770.119	0,8
			CIRCLIP 320X6 D 471	FED-ST			
E	0226	1	ST O-RING OR0040 -03 W 5713	72NBR872		000.000.306.600	0,1
			O-RING OR0040 -03 W 5713	72NBR872			
E	0227	1	ST STRDW-PLA LP 534,5/1,52 SE LK2	1.6587	6310396/E	000.001.551.102	644,0
			PLANETARY GEAR SHAFT WHEEL SE LK2				
E	0228	1	ST O-RING OR0030,2 -03 W 5713	72NBR872		000.000.306.818	0,1
			O-RING OR0030,2 -03 W 5713	72NBR872			
E	0231	1,90 M	SCHNUR-RD 05,0	72NBR872		000.000.307.223	0,0
			ROUND CORD 05,0	72NBR872			
E	0232	1,80 M	SCHNUR-RD 05,0	72NBR872		000.000.307.223	0,0
			ROUND CORD 05,0	72NBR872			
E	0239	4	ST ACHSE-PLA 280X587	C60+N	6253486/A	000.001.532.612	279,5
			PLANETARY AXLE 280X587	C60+N			
E	0240	4	ST RING-SICHER 280X5 D 472	FED-ST		000.000.343.195	0,4
			CIRCLIP 280X5 D 472	FED-ST			
E	0241	4	ST STIRD-PLD RP 534,5/1,52 SE	1.6587	6238031/G	000.001.551.289	497,0
			PLANET GR RP 534,5/1,52 SE	1.6567			
E	0248	4	ST WAELZL F-589341 RNN-WPO	FAG		000.001.164.068	181,7
			ROLLG BRG F-589341 RNN-WPO	FAG			
E	0248	4	ST WAELZL F-589342 RN-WPO	FAG		000.001.164.069	90,7
			ROLLG BRG F-589342 RN-WPO	FAG			
E	0251	1	ST O-RING OR0440 -05 W 5713	72NBR872		000.001.159.998	0,1
			O-RING OR0440 -05 W 5713	72NBR872			
E	0252	1	ST SCHB-BODEN 572X127X100	EN-JL1040	6238050/-	000.001.531.816	62,8
			BOTTOM PLATE 572X127X100	EN-JL1040			
E	0253	1	ST TRAEGER-PLA AV 534,5 SE	EN-JS1102	6238033/G	000.001.551.171	4.724,3
			PLANETARY CARRIER 534,5 SE	EN-JS1102			
E	0255	1	ST WAELZL F-584457.TR1-WPO	FAG		000.001.163.498	117,0
			ROLLG BRG F-584457.TR1-WPO	FAG			
E	0256	1	ST WAELZL F-582998 TR1-WPO	FAG		000.001.163.471	345,0
			ROLLG BRG F-582998 TR1-WPO	FAG			
E	0259	1	ST RING-V V-1000A 965-1015	PERBUNAN		000.001.163.579	0,4
			V-RING V-1000A 965-1015	PERBUNAN			
E	0261	4	ST STUTZEN-ROHR 30X45-1/4NPT	ST	6163771/-	000.001.372.589	0,1
			PIPE SOCKET 30X45-1/4NPT	ST			
E	0263	4	ST DUESE H1/4 U 8040 NPT W 5986 MS			000.000.306.012	0,1
			NOZZLE H1/4 U 8040 NPT W 5986 MS				



ЧЭР

E	0264	1	ST RING-AUSGL 1135X1000X57 SPACER 1135X1000X057	EN-JS1102 6304284/A EN-JS1102	000.001.531.818	72,3
E	0265	8	ST DUESE H1/4 U 8020 NPT W 5986 MS NOZZLE H1/4 U 8020 NPT W 5986 MS		000.000.306.011	0,1
E	0270	1	ST STATOR 840X466X240 STATOR 840X466X240	EN-JS1030 6146501/F EN-JS1030	000.001.358.994	151,4
E	0271	1	ST BUCHSE PZFB 3495 BUSH PZFB 3495	CC484K 6091653/- CC484K	000.001.307.650	47,0
E	0280	1	ST RING 597,0X636,9X010,0 RING 597,0X636,9X010,0	1.7225 6072384/C 1.7225	000.001.277.479	3,0
E	0281	16	ST FED-D03,50X016,0X036,0 PRESSURE SPRING03,50X016,0X036,0	FED-ST FED-ST	000.000.773.876	0,1
E	0299	4	ST KONSOLE 475X030X050 BRACKET 475X030X050	S235JR 6244754/- S235JR	000.001.535.870	1,2
E	0301	1	ST FLANSCH-ZWISCHEN 3530 SE ADAPTER FLANGE 3530 SE	EN-JS1049 6238040/G EN-JS1049	000.001.551.197	989,0
E	0306	1	ST STIRNRAD, INVERZ 3530 SE/GS INTERNALLY TOOTHED GEAR WHEEL	34CrNiMo6 6303522/A 34CrNiMo6	000.001.551.270	650,0
E	0310	1	ST FLANSCH 270X012 FLANGE 270X010	S355J2G3 6317592/B S235JR	000.001.541.981	6,3
E	0313	1,50 M	M SCHNUR-RD 05,0 ROUND CORD 05,0	72NBR872 72NBR872	000.000.307.223	0,0
E	0316	1	ST OELRINNE 325X240X025 OIL GROOVE 325X240X025	EN-JL1040 6281149/- EN-JL1040	000.001.531.864	10,2
E	0319	1,40 M	M SCHNUR-RD 05,0 ROUND CORD 05,0	72NBR872 72NBR872	000.000.307.223	0,0
E	0327	1	ST STRDW-PLA LP 390,0/2,04 SE LK2 PLANETARY GEAR SHAFT	1.6587 6310401/D	000.001.551.198	198,0
E	0330	1	ST SCHEIBE DW-M30-3,5 DISC DW-M30-3,5	HYTORC HYTORC	000.001.535.883	0,6
E	0337	1	ST O-RING OR0030,2 -03 W 5713 O-RING OR0030,2 -03 W 5713	72NBR872 72NBR872	000.000.306.818	0,1
E	0338	1	ST O-RING OR0040 -03 W 5713 O-RING OR0040 -03 W 5713	72NBR872 72NBR872	000.000.306.600	0,1
E	0339	3	ST ACHSE-PLA 240X333 PLANETARY AXLE 240X333	C60+N C60+N	000.001.532.613	114,0
E	0340	3	ST RING-SICHER 240X5 D 472 CIRCLIP 240X5 D 472	FED-ST FED-ST	000.000.343.209	0,3
E	0341	3	ST STIRD-PLD RP 390,0/2,04 SE PLANET GR RP 390,0/2,04 SE	1.6587 6238036/H 1.6567	000.001.551.290	161,0
E	0348	6	ST WAE LZL F-584095.01 RN-WPO ROLLG BRG F-584095.01 RN-WPO	FAG FAG	000.001.164.145	52,6
E	0353	1	ST TRAEGER-PLA AV 390 SE PLANETARY CARRIER AV 390 SE	EN-JS1102 6244793/C EN-JS1102	000.001.551.195	932,3
E	0355	1	ST WAE LZL NP972865-NP619788 ROLLG BRG NP972865-NP619788	TIMKEN TIMKEN	000.001.163.276	65,0
E	0356	1	ST WAE LZL NP572398-NP577139 ROLLG BRG NP572398-NP577139	TIMKEN TIMKEN	000.001.163.277	25,0



4EP

Teil-Nr.	Menge	Benennung	Zeichnungs-Nr.	Material-Nr.	Gw(kg)
Part No.	No. off	Description	Drawings No.	Ident no.	Weight
E 0361	3	ST DUESE H1/4 U 8020 NPT W 5986 MS NOZZLE H1/4 U 8020 NPT W 5986 MS		000.000.306.011	0,1
E 0364	1	ST RING-AUSGL 580X527X23,5 SPACER 580X527X023,5	EN-JS1102 6304765/B EN-JS1102	000.001.531.886	5,5
E 0370	1	ST STATOR 770X295X185 STATOR 770X295X185	EN-JS1030 6238049/A EN-JS1030	000.001.531.927	152,4
E 0371	1	ST BUCHSE PZFB 3495 BUSH PZFB 3495	CC484K 6091655/- CC484K	000.001.307.652	29,4
E 0377	1,50 M	SCHNUR-RD 05,0 ROUND CORD 05,0	72NBR872 72NBR872	000.000.307.223	0,0
E 0380	3	ST DUESE H1/4 U 8020 NPT W 5986 MS NOZZLE H1/4 U 8020 NPT W 5986 MS		000.000.306.011	0,1
G 0400	1	ST WELLE-HOHL 440X170X0578 SE HOLLOW SHAFT 440X170X0578 SE	42CrMo4 6238037/B 42CrMo4	000.001.551.200	306,0
E* 0465	1	ST MUTTER-NUT TR340X5 SLOTTED NUT TR340X5	16MnCrS5 6238047/- 16MnCrS5	000.001.533.445	6,6
E 0402	1	ST STIRNRAD LP 550,0/3,64 SE GEAR WHEEL LP 550,0/3,64 SE	1.6587 6310403/C 1.6587	000.001.551.310	616,0
E 0410	1	ST RING-HALTE 240X395X25,5 LOCKING RING 240X395X25,5	S355J2G3 6238053/B S355J2G3	000.001.533.307	9,8
E 0416	1	ST RING 360,0X440,0X066,5 RING 360,0X440,0X066,5	S355J2G3 6253558/A S355J2G3	000.001.533.360	14,0
E 0430	1	ST L-DECK460X520X028 O130 BEARING COVER 460X520X028 O130	EN-JL1040 6238046/E EN-JL1040	000.001.531.887	97,9
E 0432	1	ST RING-V V-130A 125-135 V-RING V-130A 125-135 PERBUNAN	PERBUNAN	000.000.776.354	0,1
E 0445	1	ST BUCHSE BUSH ST/GJL	ST/GJL 8114239/A	000.000.650.800	0,9
E 0447	1	ST RING 430,0X460,0X024,0 RING 430,0X460,0X024,0	S235JR 6312706/- S235JR	000.001.536.600	3,9
E 0450	1	ST EINBAUS F-581492 TR2SK-WPO PAIRD TAPER ROLL.BEARGS F-581492 TR2SK-W	FAG	000.001.163.486	75,0
E 0451	1	ST WAELZL F-584093 NU-WPO ROLLG BRG F-584093 NU-WPO	FAG FAG	000.001.163.470	65,8
E 0452	1	ST RING-HALTE 405X655X040 LOCKING RING 405X655X040	EN-JL1040 6238056/A EN-JL1040	000.001.533.361	38,4
E 0454	1	ST ROHR 138,0X016,65X1000 PIPE 138,0X016,65X1000	E355 6238051/A E355	000.001.533.473	36,2
E 0455	1	ST ROHR 132,0X13,65X1685 PIPE 132,0X13,65X1685	E355 6238052/A E355	000.001.533.475	64,5
E 0456	2	ST O-RING OR0120 -05 W 5713 72NBR872 O-RING OR0120 -05 W 5713 72NBR872		000.000.306.528	0,2
E 0457	1	ST WAELZL 6026-2RS1 D 625 SKF/FAG ROLLG BRG 6026-2RS1 D 625 SKF/FAG		000.000.380.063	3,4
E 0460	1	ST PLATTE-ARRETIER 185X010 LOCKING PLATE 185X010	S235JR 6281643/A S235JR	000.001.533.447	1,0
E 0462	1	ST O-RING OR0122 -03 W 5713 72NBR872 O-RING OR0122 -03 W 5713 72NBR872		000.000.306.867	0,1



4ЭР

Teil-Nr.	Menge	Benennung	Zeichnungs-Nr.	Material-Nr.	Gw(kg)
Part No.	No. off	Description	Drawings No.	Ident no.	Weight
E 0700	1	ST ROHRPLAN INNEN PZAB3530 PIPING PLAN INSIDE PZAB3530	VESTAS *****	000.001.540.147	9,4
E 0900	1	ST LATERNE 398X068X213 MOUNTING FLANGE 398X068X213	EN-JL1040 6309604/B EN-JL1040	000.001.532.614	35,8
E 0901	1	ST WELLE 048X216 SE SHAFT 048X216 SE	16MnCrS5 16MnCrS5	000.001.278.048	1,9
E 0902	1	ST STIRNRAD RP 550,0/3,64 SE GEAR WHEEL RP 550,0/3,64 SE	34CrNiMo6 6309531/A 34CrNiMo6	000.001.551.059	10,0
E 0903	1	ST PUMPE-ZAHNRAD R4,5/54 FL-Z GEAR PUMP R4,5/54 FL-Z	RICKMEIER RICKMEIER	000.001.524.761	25,0
E 0904	1	ST KPPLG-N-EUPEX B 110 COUPLING-N-EUPEX B 110	EN-JL1040 EN-JL1040	000.001.531.983	3,9
E 0905	1	ST RING 040,0X048,0X057,5 RING 040,0X048,0X057,5 ST	ST 6071028/A	000.001.278.080	0,3
E 0906	1	ST WAELZL 2208 NU EC D 5412 SKF/FAG ROLLG BRG 2208 NU EC D 5412 SKF/FAG		000.000.379.112	0,6
E 0907	1	ST WAELZL 6208 D 625 MET-KAEF ROLLG BRG 6208 D 625 MET-KAEF		000.000.380.208	0,4
E 0914	1	ST PASSFED 10X08X032 A D 6885 C45K PAR KY 10X08X032 A D 6885 C45K		002.900.005.834	0,0
E 0915	1	ST PASSFED 10X08X028 B D 6885 C45K PAR KY 10X08X028 B D 6885 C45K		000.000.300.326	0,0
E 0917	1	ST DECKEL-PUMPE 240X080X30 PUMP COVER 240X080X30	S355J2G3 6309336/- S355J2G3	000.001.533.251	6,0
E 0919	1	ST RING 045,0X080,0X006,0 RING 045,0X080,0X006,0	S235JR 6238048/- S235JR	000.001.540.146	0,1
G 0999	1	ST BEREITSTELLGR PZAB 3530 CCV ALLOCATE GROUP PZAB 3530 CCV	VESTAS VESTAS	000.001.553.014	417,3
E* 0038	4	ST SCHRUB-SKT M16X035 D 933 8.8 HEXAGON HEAD SCREW M16X035 D 933 8.8		000.000.321.375	0,1
E* 0041	9	ST SHR-VSHL B1 G1 1/2A F 3082 5.8-A4P PLUG SCREW B1 G1 1/2A F 30825.8-A4P D908		000.000.326.944	0,2
E* 0042	5	ST SHR-VSHL B1 G2 A F 3082 5.8-A4P PLUG SCREW B1 G2 A F 3082 5.8-A4P D908		000.000.326.927	0,4
E* 0043	1	ST SHR-VSHL B1 G 1/8A F 3082 5.8-A2P PLUG SCREW B1 G 1/8A F 3082 5.8-A2P		000.000.326.922	0,0
E* 0044	1	ST SHR-VSHL B1 G 3/8A F 3082 5.8-A3P PLUG SCREW B1 G 3/8A F 3082 5.8-A3P D908		000.000.326.923	0,0
E* 0045	3	ST SHR-VSHL B2 G1 A MAG F 3082 5.8-A3P PLUG SCREW B2 G1 A MAG F 3082 5.8-A3P		000.000.326.943	0,2
E* 0046	1	ST STIFT-GEW M20X020 W 3076 45H SET SCREW M20X020 W 3076 45H		000.000.835.281	0,0
E* 0047	3	ST SHR-VSHL B1 G 1/2A F 3082 5.8-A3P PLUG SCREW B1 G 1/2A F 3082 5.8-A3P D908		000.000.326.925	0,0
E* 0048	1	ST SHR-VSHL B1 G1 A F 3082 5.8-A3P PLUG SCREW B1 G1 A F 3082 5.8-A3P D908		000.000.326.953	0,1
E* 0049	2	ST SHR-VSHL B1 G 3/4A F 3082 5.8-A3P PLUG SCREW B1 G 3/4A F 3082 5.8-A3P		000.000.326.924	0,1



ЧЭР

Teil-Nr.	Menge	Benennung	Zeichnungs-Nr.	Material-Nr.	Gw(kg)
Part No.	No. off	Description	Drawings No.	Ident no.	Weight
E* 0052	16	ST SCHRБ-SKT M12X030 D 933 8.8 HEXAGON HEAD SCREW M12X030 D 933 8.8		000.000.321.356	0,0
E* 0054	24	ST SCHRБ-SKT M16X050 D 933 8.8 HEXAGON HEAD SCREW M16X050 D 933 8.8		000.000.321.782	0,1
E* 0059	4	ST SHR-VSHL B1 G1 1/4A F 3082 5.8-A4P PLUG SCREW B1 G1 1/4A F 3082 5.8-A4P		000.000.326.926	0,2
E* 0061	4	ST STIFT-GEW G 3/8X15 BL5 ST SET SCREW G 3/8X15 BL5 ST	9021898/B	000.001.245.756	0,1
E* 0108	1	ST STIFT-SPANN 10,0X028 I 8752 ST SPRING-TYPE STRAIGHT PIN 10,0X028 I 8752		000.000.345.902	0,0
E* 0131	1,00 M	M STREIFEN FILZ 05,5/4X06,5F3312 F4 STRIP 5,5/4X6,5 F3312 FILZ F4		000.000.243.209	0,1
E* 0139	8	ST SCHRБ-SKT M20X075 -40°C D 933 8.8-T HEXAGON HEAD SCREW M20X075 -40°C D 933		000.001.157.914	0,2
E* 0155	4	ST SCHRБ-ZYL M12X030 D 912 8.8 HEX.SOCKET HEAD CAP SCREW M12X030 D 912		000.000.322.203	0,0
E* 0156	6	ST SCHRБ-SKT M12X030 D 933 8.8 HEXAGON HEAD SCREW M12X030 D 933 8.8		000.000.321.356	0,0
E* 0183	8	ST SCHRБ-ZYL M10X040 D 912 8.8 HEX.SOCKET HEAD CAP SCREW M10X040 D 912		000.000.322.324	0,0
E* 0184	12	ST SCHEIBE 08 I 7090 200HV WASHER 08 I 7090 200HV		000.000.342.707	0,0
E* 0185	12	ST SCHRБ-SKT M08X016 D 933 10.9 HEXAGON HEAD SCREW M08X016 D 933 10.9		000.000.321.582	0,0
E* 0186	4	ST SCHRБ-ZYL M08X025 D 912 8.8 HEX.SOCKET HEAD CAP SCREW M08X025 D 912		000.000.322.312	0,0
E* 0187	4	ST SCHRБ-ZYL M10X020 D 912 8.8 HEX.SOCKET HEAD CAP SCREW M10X020 D 912		000.000.322.320	0,0
E* 0188	4	ST SCHEIBE 10 I 7090 200HV WASHER 10 I 7090 200HV		000.000.342.710	0,0
E* 0208	1	ST SHR-VSHL B1 G 3/8A F 3082 5.8-A3P PLUG SCREW B1 G 3/8A F 3082 5.8-A3P D908		000.000.326.923	0,0
E* 0209	26	ST SCHRБ-SKT M16X030 -40°C D 933 8.8-T HEXAGON HEAD SCREW M16X030 D 933 8.8-T		000.001.157.907	0,1
E* 0210	3	ST SHR-VSHL B1 G2 A F 3082 5.8-A4P PLUG SCREW B1 G2 A F 3082 5.8-A4P D908		000.000.326.927	0,4
E* 0211	2	ST SHR-VSHL B1 G 3/4A F 3082 5.8-A3P PLUG SCREW B1 G 3/4A F 3082 5.8-A3P		000.000.326.924	0,1
E* 0212	2	ST SHR-VSHL B1 G2 A F 3082 5.8-A4P PLUG SCREW B1 G2 A F 3082 5.8-A4P D908		000.000.326.927	0,4
E* 0214	4	ST SCHRБ-ZYL M10X130 D 912 8.8 HEX.SOCKET HEAD CAP SCREW M10X130 D 912		000.000.322.020	0,1
E* 0217	5	ST SCHRБ-ZYL M12X110 D 912 8.8 HEX.SOCKET HEAD CAP SCREW M12X110 D 912		000.000.322.276	0,1
E* 0219	27	ST SCHRБ-SKT M30X110 -40°C D 931 10.9-T HEXAGON HEAD SCREW M30X110 D 931 10.9-T		000.001.163.717	0,8
E* 0220	4,00 M	M STREIFEN FILZ 05,5/4X06,5F3312 F4 STRIP 5,5/4X6,5 F3312 FILZ F4		000.000.243.209	0,1



ЧЭР

Teil-Nr.	Menge	Benennung	Zeichnungs-Nr.	Material-Nr.	Gw(kg)
Part No.	No. off	Description	Drawings No.	Ident no.	Weight
E* 0221	2	ST SHR-VSHL B1 G 3/8A F 3082 5.8-A3P PLUG SCREW B1 G 3/8A F 3082 5.8-A3P D908		000.000.326.923	0,0
E* 0223	4	ST SCHR-B-SKT M16X035 D 933 8.8 HEXAGON HEAD SCREW M16X035 D 933 8.8		000.000.321.375	0,1
E* 0224	3	ST SHR-VSHL B1 G2 A F 3082 5.8-A4P PLUG SCREW B1 G2 A F 3082 5.8-A4P D908		000.000.326.927	0,4
E* 0225	1	ST SHR-VSHL B1 G 1/2A F 3082 5.8-A3P PLUG SCREW B1 G 1/2A F 3082 5.8-A3P D908		000.000.326.925	0,0
E* 0229	27	ST SCHEIBE 30 I 7090 300HV WASHER 30 I 7090 300HV DIN125 and F3220		000.000.342.647	0,1
E* 0233	18	ST SCHR-B-SKT M42X160 -40°C D 931 10.9-T HEXAGON HEAD SCREW M42X160 -40°C D 931		000.001.163.699	2,3
E* 0234	4	ST STIFT-ZYL 40,0K6X140 B F 3219 16MnCr5 PARALLEL PIN 40,0K6X140 B F 3219		000.000.345.248	1,3
E* 0235	18	ST SCHEIBE 42 I 7090 300HV WASHER 42 I 7090 300HV DIN 125 F3220		000.000.342.649	0,2
E* 0236	3	ST SCHR-B-SKT M42X660 -40°C D 931 10.9-T HEXAGON HEAD SCREW M42X660 -40°C D 931		000.001.163.703	5,8
E* 0237	54	ST SCHR-B-SKT M42X270 -40°C D 931 10.9-T HEXAGON HEAD SCREW M42X270 -40°C D 931		000.001.162.980	3,5
E* 0238	57	ST SCHEIBE 42 I 7090 300HV WASHER 42 I 7090 300HV DIN 125 F3220		000.000.342.649	0,2
E* 0242	2	ST SHR-VSHL B1 G1 1/2A F 3082 5.8-A4P PLUG SCREW B1 G1 1/2A F 30825.8-A4P D908		000.000.326.944	0,2
E* 0243	4	ST SHR-VSHL B1 G 1/2A F 3082 5.8-A3P PLUG SCREW B1 G 1/2A F 3082 5.8-A3P D908		000.000.326.925	0,0
E* 0244	10	ST STIFT-ZYL 40,0K6X140 B F 3219 16MnCr5 PARALLEL PIN 40,0K6X140 B F 3219		000.000.345.248	1,3
E* 0254	12	ST SHR-VSHL B1 G 1/2A F 3082 5.8-A3P PLUG SCREW B1 G 1/2A F 3082 5.8-A3P D908		000.000.326.925	0,0
E* 0257	8	ST SCHR-B-SKT M16X050 D 933 8.8 HEXAGON HEAD SCREW M16X050 D 933 8.8		000.000.321.782	0,1
E* 0262	4	ST MUTTER-SKT M30 I 4035 10 HEXAGON NUT M30 I 4035 10		000.001.157.289	0,1
E* 0273	16	ST SCHR-B-ZYL M16X040 D 912 8.8 HEX.SOCKET HEAD CAP SCREW M16X040 D 912		000.000.322.215	0,1
E* 0274	8	ST STIFT-GEW M16X020 W 3076 45H SET SCREW M16X020 W 3076 45H		000.000.323.787	0,0
E* 0275	4	ST SCHR-B-ZYL M08X012 D 912 8.8 HEX.SOCKET HEAD CAP SCREW M08X012 D 912		000.000.322.000	0,0
E* 0284	1	ST STIFT-GEW M08X045 I 4028 45H SET SCREW M08X045 I 4028 45H		002.900.105.557	0,0
E* 0285	1	ST MUTTER-SKT,SELBSTSI M08 D 985 6 HEXAGON NUT, SELF-LOCKING M08 D 985 6		000.000.341.208	0,0
E* 0297	8	ST SCHEIBE 12 I 7090 200HV WASHER 12 I 7090 200HV		000.000.342.713	0,0
E* 0298	8	ST SCHR-B-SKT M12X025 D 933 8.8 HEXAGON HEAD SCREW M12X025 D 933 8.8		000.000.321.354	0,0



ЧЭР

Teil-Nr.	Menge	Benennung	Zeichnungs-Nr.	Material-Nr.	Gw(kg)
Part No.	No. off	Description	Drawings No.	Ident no.	Weight
E* 0305	5	ST SHR-VSHL B1 G1 1/2A F 3082 5.8-A4P PLUG SCREW B1 G1 1/2A F 30825.8-A4P D908		000.000.326.944	0,2
E* 0309	1	ST SHR-VSHL B1 G 3/4A F 3082 5.8-A3P PLUG SCREW B1 G 3/4A F 3082 5.8-A3P		000.000.326.924	0,1
E* 0311	4	ST SCHR-B-SKT M16X035 D 933 8.8 HEXAGON HEAD SCREW M16X035 D 933 8.8		000.000.321.375	0,1
E* 0315	2	ST SHR-VSHL B1 G1 A F 3082 5.8-A3P PLUG SCREW B1 G1 A F 3082 5.8-A3P D908		000.000.326.953	0,1
E* 0318	4	ST SCHR-B-ZYL M10X060 D 912 8.8 HEX.SOCKET HEAD CAP SCREW M10X060 D 912		000.000.322.175	0,0
E* 0324	16	ST SCHEIBE 30 I 7090 300HV WASHER 30 I 7090 300HV DIN125 and F3220		000.000.342.647	0,1
E* 0325	16	ST SCHR-B-SKT M30X110 -40°C D 931 10.9-T HEXAGON HEAD SCREW M30X110 D 931 10.9-T		000.001.163.717	0,8
E* 0326	16	ST SCHEIBE 30 I 7090 300HV WASHER 30 I 7090 300HV DIN125 and F3220		000.000.342.647	0,1
E* 0328	16	ST SCHR-B-SKT M30X110 -40°C D 931 10.9-T HEXAGON HEAD SCREW M30X110 D 931 10.9-T		000.001.163.717	0,8
E* 0329	4	ST STIFT-ZYL 30,0K6X090 B F 3219 16MnCr5 PARALLEL PIN 30,0K6X090 B F 3219		000.000.345.068	0,4
E* 0331	1	ST SCHR-B-STIFT M30FO X0320 -40°C 10.9-T STUD BOLT M30FO X0320 -40°C 10.9-T	6315765/-	000.001.540.127	2,1
E* 0332	1	ST MUTTER-SKT M30 -50°C D 934 10-T HEXAGON NUT M30 -50°C D 934 10-T		000.001.157.134	0,2
E* 0333	44	ST SCHR-B-SKT M30X110 -40°C D 931 10.9-T HEXAGON HEAD SCREW M30X110 D 931 10.9-T		000.001.163.717	0,8
E* 0334	7	ST STIFT-ZYL 30,0K6X090 B F 3219 16MnCr5 PARALLEL PIN 30,0K6X090 B F 3219		000.000.345.068	0,4
E* 0335	44	ST SCHEIBE 30 I 7090 300HV WASHER 30 I 7090 300HV DIN125 and F3220		000.000.342.647	0,1
E* 0343	3	ST SHR-VSHL B1 G 1/2A F 3082 5.8-A3P PLUG SCREW B1 G 1/2A F 3082 5.8-A3P D908		000.000.326.925	0,0
E* 0365	6	ST SHR-VSHL B1 G 3/8A F 3082 5.8-A3P PLUG SCREW B1 G 3/8A F 3082 5.8-A3P D908		000.000.326.923	0,0
E* 0372	6	ST STIFT-GEW M16X020 W 3076 45H SET SCREW M16X020 W 3076 45H		000.000.323.787	0,0
E* 0374	4	ST SCHR-B-ZYL M08X016 D 7984 8.8 HEX.SOCKET HEAD CAP SCREW M08X016 D 7984		000.000.322.381	0,0
E* 0375	4	ST SCHEIBE 08 I 7093 200HV WASHER 08 I 7093 200HV		000.001.155.360	0,0
E* 0376	30	ST SCHR-B-ZYL M16X060 D 912 10.9 HEX.SOCKET HEAD CAP SCREW M16X060 D 912		000.000.819.223	0,1
E* 0412	12	ST SCHR-B-SKT M12X080 D 931 8.8 HEXAGON HEAD SCREW M12X080 D 931 8.8		000.000.321.759	0,1
E* 0429	1	ST STIFT-SPANN 08,0X020 I 8752 ST SPRING-TYPE STRAIGHT PIN 08,0X020 I 8752		000.000.345.885	0,0
E* 0431	1,00 M	STREIFEN FILZ 05,5/4X06,5F3312 F4 STRIP 5,5/4X6,5 F3312 FILZ F4		000.000.243.209	0,1



4EP

Teil-Nr.	Menge	Benennung	Zeichnungs-Nr.	Material-Nr.	Gw(kg)
Part No.	No. off	Description	Drawings No.	Ident no.	Weight
E* 0436	3	ST SHR-VSHL B1 G 1/2A F 3082 5.8-A3P PLUG SCREW B1 G 1/2A F 3082 5.8-A3P D908		000.000.326.925	0,0
E* 0437	1	ST Zylinderstift ISO 8735 - 20k6x40 - B PARALLEL PIN 20,0K6X040 B F 3219		000.001.155.967	0,1
E* 0438	2	ST SCHR-B-ZYL M24X070 -40°C D 912 8.8-T HEX.SOCKET HEAD CAP SCREW M24X070 -40°C		000.001.157.911	0,4
E* 0439	8	ST SCHR-B-SKT M24X075 -40°C D 931 8.8-T HEXAGON HEAD SCREW M24X075 -40°C D 931		000.001.154.872	0,4
E* 0446	1	ST RING-SICHER 130X4 D 471 FED-ST CIRCLIP 130X4 D 471 FED-ST		000.000.343.330	0,1
E* 0448	1	ST RING-SICHER 170X4 D 471 FED-ST CIRCLIP 170X4 D 471 FED-ST		000.000.343.357	0,2
E* 0449	1	ST SHR-VSHL B1 G 1/4A F 3082 5.8-A2P PLUG SCREW B1 G 1/4A F 3082 5.8-A2P		000.000.326.917	0,0
E* 0458	1	ST RING-SICHER 200X4 D 472 FED-ST CIRCLIP 200X4 D 472 FED-ST		000.000.343.200	0,2
E* 0459	8	ST SCHR-B-SKT M20X060 D 933 8.8 HEXAGON HEAD SCREW M20X060 D 933 8.8		000.000.321.398	0,2
E* 0461	8	ST SCHR-B-SKT M12X035 D 933 8.8 HEXAGON HEAD SCREW M12X35 D 933 8.8		000.000.321.357	0,0
E* 0908	4	ST SCHR-B-ZYL M08X130 D 912 8.8 HEX.SOCKET HEAD CAP SCREW M08X130 D 912		000.000.322.403	0,1
E* 0909	8	ST SCHR-B-SKT M12X030 D 933 8.8 HEXAGON HEAD SCREW M12X030 D 933 8.8		000.000.321.356	0,0
E* 0910	1	ST RING-SICHER 040X1,75 D 471 FED-ST CIRCLIP 040X1,75 D 471 FED-ST		000.000.343.240	0,0
E* 0911	3	ST RING-SICHER 080X2,5 D 472 FED-ST CIRCLIP 080X2,5 D 472 FED-ST		000.000.343.080	0,0
E* 0912	2	ST SHR-VSHL B1 G 1/2A F 3082 5.8-A3P PLUG SCREW B1 G 1/2A F 3082 5.8-A3P D908		000.000.326.925	0,0
E* 0916	1	ST RING-SICHER 038X1,75 D 471 FED-ST CIRCLIP 038X1,75 D 471 FED-ST		000.000.343.238	0,0
E* 0918	4	ST SCHR-B-SKT M10X030 D 933 10.9 HEXAGON HEAD SCREW M10X030 D 933 10.9		000.000.321.608	0,0